



**KTB** 制 冷 空 调 泵  
AIR-CONDITION PUMP

产品执行标准：Q/GZGY 30

## 用途 Application

KTB型泵是我公司专为空调制冷系统设计的单级单吸清水离心泵，主要用于中央空调冷却系统,高层建筑供水、消防增压、冷热水循环，以及在工业、农业、园艺等行业中的给排水用途。

Type KTB pump is a single stage single suction pump, It is specially designed for air-condition system, and also suitable for different kinds of water supply.

- Pumping hot and cold water for heating and cooling system
- Pressure boosting system
- Firefight system
- Liquid transfer in industry, agriculture, horticulture, etc.

## 输送介质 Liquids Pumped

主要供吸送稀释、清洁的、不腐蚀的清水及物理化学性质类似水不含固体颗粒或纤维的液体。

Thin, clean non-aggressive and non-explosive liquids without solid particles or fiber.

## 性能范围 Performance Range

转速Speed	1450rpm(1480rpm)
流量Capacity	7.5 - 1470m <sup>3</sup> /h
扬程Head	9.7 - 88m
功率Power	1.5 - 250kW

## 工作条件 Operating Conditions

工作温度范围Temperature Range: 0 - 105  
最大工作压力Max. Operating Pressure: 1.6MPa

## 泵说明 Pump

综合了IS、IT、XA等型号目前国家推荐使用的节能产品的特点，并在结构材质选用和轴承、轴封、润滑等方面作了改进。该型泵具有结构合理、体积小、重量轻、可靠性高、检修维护方便的特点。

Pump KTB have the features of some power-consumption products recommended by nation such as type IS, IT, XA, etc. and there is much improvement in material, bearing, seal and lubricate. For its reasonable structure, type KTB pump is reliable in performance, small in size, light in weight and easy in maintenance.

该型泵机件为了达到通用性，72种规格的水泵只有4种规格的轴、轴承、联轴器盖，减少了备品备件，便于检修管理。

Type KTB pump has a wonderful interchanging

ability; totally there are 72 models, but only 4 types size of the shaft. For the same shaft size, relative ball bearing, seal, shaft sleeve, impeller and fastening are interchangeable.

采用开门式结构使泵体和轴承体部分从叶轮背面处分体，检修时无需拆卸泵体和进出管路，只需脱开联轴器，移动电机，即可取出叶轮等部件进行检修(见图1)。

The pump is back-pull-out design, which allows disassembling the cast iron cover and rotary components without removing the pipework (see fig. 1).

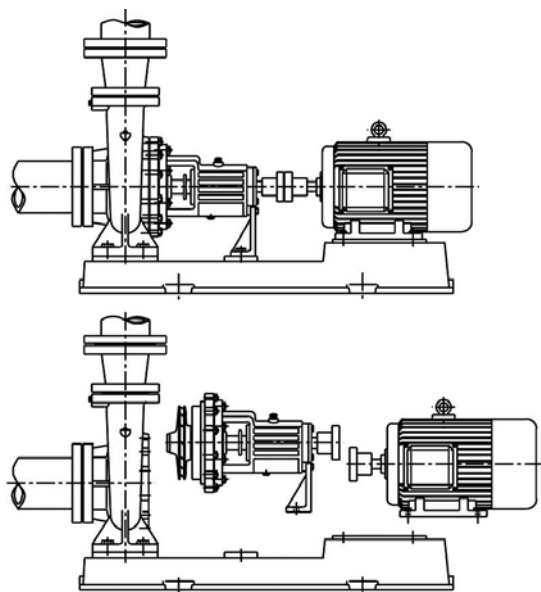


图 1fig.1

采用水力和动力平衡的叶轮，叶轮前后均有密封环，后盖板设有平衡孔，能有效平衡泵的轴向力。叶轮材质采用耐磨合金铸铁或铸铜精密铸造，用户可根据使用情况选用(订货时说明)。

The use of hydraulic and dynamic balanced impeller with double-end seal ring and balance hole can depress axial force effectively. The material of impeller is cast iron or bronze.

采用特殊设计的耐磨机械密封装置，正常使用寿命超过一万小时，保证在较高水位下不漏水，运行稳定可靠。

The use of durable mechanical seal ensures no leakage in high pressure and running well.

本公司独特的悬架结构使机组运行更稳定，采用高强度不锈钢轴以及配套进口优质轴承。轴承润滑结构采用7019#高级轴承脂润滑。

The bearing house is designed specially for type KTB and makes it running firmly. Use good stainless steel shaft and excellent bearing, which is lubricated with 7019# grease.

## 底板 Bedplate

提供尺寸齐全的铸铁底板，方便现场安装  
Cast iron bedplate covering all series is applied.

## 电机 Motor

配用电动机的噪声等级低于普通Y型电机，在轴承压盖处设注油孔，可随时向轴承加油，维护保养方便。

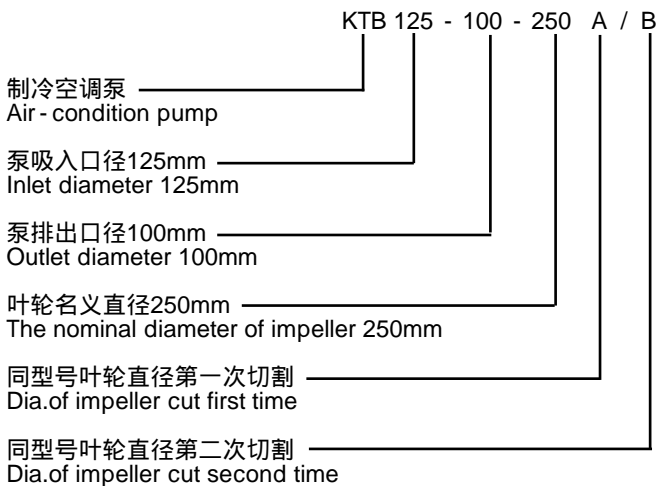
The noise class of motor mounted is lower than that of normal motors. There is a hole applied on bearing cover and it is convenience to pour oil to the bearing at any moment. Direction Of Rotation.

## 旋转方向 Direction Of Rotation

由电机方向看，水泵为顺时针旋转。

Direction of rotation is clockwise as viewed from the driver towards the pump.

## 型号意义说明 Pump Key



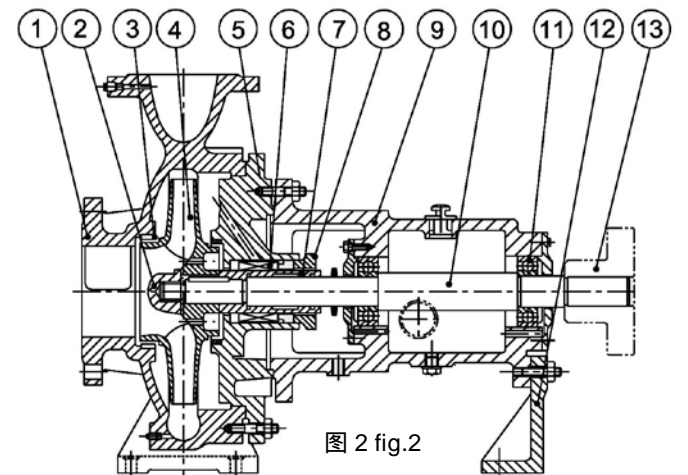
## 性能表 Performance Date

型号 Model	流量 Capacity Q (m <sup>3</sup> /h)	扬程 Head H (m)	转速 Speed n (rpm)	功率 Power(kW)		效率 Efficiency η (%)	必需汽蚀余量 NPSH(r) (m)	整机重量 Weight of pump set (kg)
				轴功率 Shaft power	电机功率 Motor Power			
KTB65-40-210	10	14.5	1450	0.84	1.5	47	1.8	120
	18	12.5		1.13		54	2.0	
	21	10		1.144		50	2.4	
KTB65-40-260	10	24	1450	1.76	3	37	1.8	180
	18	22		2.28		47	2.0	
	21	15		2.33		51	2.4	
KTB65-40-315	7.5	32.5	1450	2.63	4	25	2.5	199
	12.5	32		2.94		37	2.5	
	15	31		3.16		41	3.0	
KTB65-40-320	11	38	1450	3.5	5.5	32	2.1	210
	18	35		4.24		40.5	2.1	
	21.5	32		4.83		39	3.8	
KTB80-50-210	18	15.4	1450	1.37	2.2	55	2.2	140
	30	13.5		1.7		65	2.3	
	36	11.6		1.86		61	2.9	
KTB80-50-250	15	21	1450	1.75	3	49	2.5	198
	25	20		2.27		60	2.5	
	30	18.5		2.52		61	3.0	

## 材料Material(见图2 see fig.2)

序号 No.	组件 Parts	材料 Material
1	泵壳 Casing	铸铁 Cast iron
2	叶轮螺母 Impeller nut	黄铜/铸铁 Bronze/Cast iron
3	密封环 Seal ring	铸铁 Cast iron
4	叶轮 Impeller	铸铁/铸铜 Bronze/Cast iron
5	泵盖 Pump cover	铸铁 Cast iron
6	密封 Seal	机械密封 Mechanical Seal From Import
7	轴套 Shaft sleeve	不锈钢 Stainless steel
8	密封压盖 Seal cover	铸铁/不锈钢 Cast iron/Stainless steel
9	悬架部件 Bearing house	铸铁 Cast iron
10	泵轴 Shaft	不锈钢 Stainless steel
11	进口轴承 Bearing	NSK/SKF/NTN
12	支架 Pump foot	铸铁 Cast iron
13	联轴器 Coupling	铸铁 Cast iron

## 结构图Constructions



## 性能表 Performance Date

型号 Model	流量 Capacity Q (m <sup>3</sup> /h)	扬程 Head H (m)	转速 Speed n (rpm)	功率 Power(kW)		效率 Efficiency n (%)	必需汽蚀余量 NPSH(r) (m)	整机重量 Weight of pump set (kg)	
				轴功率 Shaft power	电机功率 Motor Power				
KTB80-50-260	20	25	1450	2.62	5.5	52	2.3	198	
	32	22.5		3.27		60			2.4
	38	19.8		3.63		56.5			3.0
KTB80-50-315	15	32.5	1450	3.4	5.5	39	2.5	264	
	25	32		4.19		52			2.5
	30	31		4.5		56			3.0
KTB80-50-320	24	36	1450	5	11	47	2.4	294	
	40	34		6.38		58			2.5
	48	32		7.09		59			3.0
KTB80-50-320A	23	32	1450	4.45	7.5	45	2.0	268	
	38	30		5.54		56			2.5
	45	28		6.07		56.5			3.0
KTB100-65-210	35	15.3	1450	2.31	4	63	1.9	183	
	55	14		2.87		73			2.0
	66	13		3.2		73.5			2.3
KTB100-65-250	30	21.3	1450	3.16	5.5	55	2.0	238	
	50	20		4		68			2.3
	60	19		4.44		70			2.5
KTB100-65-260	36	24.5	1450	4	7.5	60	2.0	238	
	60	22.5		5.25		70			2.3
	72	20.6		5.77		69			3.0
KTB100-65-315	30	34	1450	5.44	11	51	1.9	420	
	50	32		6.92		63			2.0
	60	30		7.67		64			2.5
KTB100-65-315A	28.5	31	1450	4.74	7.5	51	1.9	325	
	48	28		6		63			2.0
	58	27		6.7		64			2.5
KTB100-65-320	40	37	1450	7.46	15	54	1.9	420	
	65	34		9.56		63			2.0
	78	31		10.62		62			2.5
KTB100-65-320A	37	33.4	1450	6.73	11	50	2.5	325	
	62	30.9		8.54		61			2.5
	74.5	28		9.47		60			3.0
KTB125-100-200	60	14.5	1450	3.84	7.5	62	2.5	250	
	100	12.5		4.48		76			2.5
	120	11		4.79		75			3.0
KTB125-100-200A	56	12.8	1450	3.17	5.5	62	2.5	236	
	93.5	11		3.7		76			2.5
	112	9.7		3.96		75			3.0
KTB125-100-250	60	21.5	1450	5.59	11	62	2.5	394	
	100	20		7.17		76			2.5
	120	18.5		7.84		77			3.0
KTB125-100-250A	56	18.8	1450	4.56	7.5	63	2.5	355	
	93.5	17.5		5.87		76			2.5
	112	16.2		6.41		77			3.0
KTB125-100-250B	52.2	16	1450	3.7	5.5	62	2.5	341	
	86.5	15		4.86		75			2.5
	104	13.9		5.17		76			3.0
KTB125-100-315	60	33.5	1450	9.4	15	58	2.5	495	
	100	32		11.9		73			2.5
	120	30.5		13.5		74			3.0
KTB125-100-315A	57.4	30.5	1450	8.22	15	58	2.5	480	
	95.5	28.5		10.33		73			2.5
	114	27.8		11.7		74			3.0
KTB125-100-315B	54.6	27.7	1450	7.23	11	57	2.5	410	
	90.8	26.4		9.08		72			2.5
	108.9	25.8		10.5		73			3.0
KTB125-100-400	60	52	1480	16.1	30	53	2.5	627	
	100	50		21		65			2.5
	120	48.5		23.6		67			3.0
KTB125-100-400A	56	46	1480	13.2	22	53	2.5	588	
	93.6	44		17.5		64			2.5
	112.4	43		19.6		67			3.0
KTB125-100-400B	52.2	40	1480	11.2	18.5	51	2.5	570	
	88	38		14.6		62.8			2.5
	105	37.2		16.4		65			3.0
KTB125-100-210	90	15	1480	5.25	11	70	2.2	295	
	142	13		6.36		79			2.5
	170	11.5		6.91		77			3.4
KTB125-100-260	95	24.5	1480	9.19	15	69	2.3	385	
	148	22		11.37		78			2.6
	175	20		12.54		76			3.5
KTB125-100-320	80	37.5	1480	12.73	22	65	2.0	556	
	146	34		16.7		75			2.0
	165	29		18.38		72			2.3

## 性能表 Performance Date

型号 Model	流量 Capacity Q (m³/h)	扬程 Head H (m)	转速 Speed n (rpm)	功率 Power(kW)		效率 Efficiency η (%)	必需汽蚀余量 NPSH(r) (m)	整机重量 Weight of pump set (kg)	
				轴功率 Shaft power	电机功率 Motor Power				
KTB125-100-320A	78	32	1480	10.8	18.5	63	2.0	541	
	142	28		14.83		73			2.0
	165	25		16.28		69			2.3
KTB125-100-410	90	57	1480	24.08	45	58	2.3	707	
	150	52		31.24		68			2.5
	176	48.5		34.96		67			3.2
KTB125-100-410A	87	52	1480	22	37	56	2.3	667	
	144	48		28.5		66			2.5
	172	44		31.7		65			3.2
KTB125-100-410B	83	45	1480	18.83	30	54	2.3	612	
	140	40		23.8		64			2.5
	165	38		27.1		63			3.2
KTB150-125-250	120	22.5	1480	10.4	18.5	71	3.0	427	
	200	20		13.5		81			3.0
	240	17.5		14.7		78			3.5
KTB150-125-250A	112	19.5	1480	8.7	15	68	3.0	393	
	187	17.5		11.3		77.9			3.0
	224	15.2		12.3		75.3			3.5
KTB150-125-260	144	23.5	1480	13.17	22	70	2.3	442	
	240	21		16.95		81			2.6
	288	18.8		18.9		78			3.2
KTB150-125-260A	134	21	1480	11.43	18.5	67	2.3	420	
	230	18.5		14.66		79			2.6
	280	16.5		16.55		76			3.2
KTB150-125-315	120	34	1480	15.86	30	70	2.5	603	
	200	32		22.08		79			2.5
	240	29		23.71		80			3.0
KTB150-125-315A	112	30	1480	13.1	22	70	2.5	565	
	187	28		18.1		79			2.5
	224.6	25		19.1		80			3.0
KTB150-125-315B	104	25.5	1480	10.5	18.5	69	2.5	546	
	173	24		14.5		78			2.5
	208	21.8		15.6		79			3.0
KTB150-125-320	144	34	1480	19.05	30	70	2.5	612	
	240	32		26.47		79			2.5
	288	28		27.45		80			3.0
KTB150-125-320A	134	29	1480	15.79	22	67	2.5	585	
	230	26		20.61		79			2.5
	270	22		21.01		77			3.0
KTB150-125-400	120	53	1480	27.9	45	62	2.0	725	
	200	50		36.3		75			2.8
	240	46		40.6		74			3.5
KTB150-125-400A	112	47	1480	23.2	37	62	2.0	688	
	187	44		30		75			2.8
	225	40		33.1		74			3.5
KTB150-125-400B	104.6	40	1480	18.7	30	61	2.0	649	
	173	38		24.4		74			2.8
	209.5	35		27.4		73			3.5
KTB150-125-410	144	55	1480	32.68	55	66	2.2	896	
	245	50		43.9		76			2.4
	300	44		49.9		72			3.2
KTB150-125-410A	144	52	1480	31.37	45	65	2.2	815	
	245	45		40		75			2.4
	300	38		43.7		71			3.2
KTB200-150-260	189	22.6	1480	16.6	30	70	2.7	583	
	315	20		20.5		83.5			3.0
	378	17.5		22.2		81			4.0
KTB200-150-260A	200	18.8	1480	14.8	22	69	2.7	570	
	280	16.2		15.1		82			3.0
	340	14		16.2		80			4.0
KTB200-150-250	240	20.6	1480	21.1	37	70	3.6	661	
	400	20		26.7		83			4.6
	460	17.2		27.3		79			4.9
KTB200-150-250A	225	19.4	1480	16.7	30	71	3.0	628	
	374	17.5		21.8		82			4.0
	431	15.6		23.5		78			4.5
KTB200-150-320	189	36	1480	25.56	45	72.5	2.5	748	
	315	32		33.46		82			3.2
	378	29.4		37.6		80.5			4.2
KTB200-150-320A	200	33	1480	25.3	37	71	2.5	708	
	280	28		26.35		81			3.2
	340	25		29.3		79			4.2
KTB200-150-315	240	37	1480	34.6	55	70	3.0	917	
	400	32		42.5		82			3.5
	460	28.5		44.6		80			4.0

## 性能表 Performance Date

型号 Model	流量 Capacity Q (m <sup>3</sup> /h)	扬程 Head H (m)	转速 Speed n (rpm)	功率 Power(kW)		效率 Efficiency n (%)	必需汽蚀余量 NPSH(r) (m)	整机重量 Weight of pump set (kg)
				轴功率 Shaft power	电机功率 Motor Power			
KTB200 - 150 - 315A	226	33	1480	29	45	70	3.0	823
	374	28		35		82		
	432	25		41.6		80		
KTB200 - 150 - 315B	210	27.5	1480	23.2	37	67.4	3.0	788
	350	24		28.6		79		
	403	21.2		30		77.5		
KTB200 - 150 - 400	240	55	1480	48.6	90	74	3.0	1060
	400	50		67.2		81		
	460	45		74.2		76		
KTB200 - 150 - 400A	228	49	1480	41.8	75	72.7	3.0	1045
	380	44.5		57.9		79.5		
	437	40		63.8		75.5		
KTB200 - 150 - 400B	210	42	1480	32.8	55	73	3.0	941
	340	38		45.1		80		
	401	34		48.9		76		
KTB200 - 150 - 410	195	55	1480	37.44	75	78	2.5	1120
	315	52		52.3		80		
	378	46		59.2		80		
KTB200 - 150 - 410A	190	50	1480	33.6	55	77	2.5	985
	300	46		48.4		81		
	360	41		50.88		79		
KTB200 - 150 - 500	250	88	1480	83.2	132	72	3.0	1285
	400	80		111.7		78		
	468	72		125.7		73		
KTB200 - 150 - 500A	228	73	1480	63.8	110	71	3.0	1230
	376	68		94.1		74		
	430	58		95.7		71		
KTB200 - 150 - 500B	210	65	1480	51.5	90	70	3.0	1120
	340	60		76.1		73		
	401	50		78.1		70		
KTB250 - 200 - 300	486	30	1480	50.9	55	78	5.5	1017
	630	26		51.8		85		
	720	22		53.25		81		
KTB250 - 200 - 300A	432	26	1480	38.2	45	80	5.0	957
	560	21		39.1		82		
	650	17		41.8		72		
KTB250 - 200 - 400	486	50	1480	82.7	110	80	5.0	1238
	630	45		91.9		85		
	720	38		95.5		78		
KTB250 - 200 - 400A	432	43	1480	63.2	90	80	5.0	1138
	558	38		68.7		84		
	710	32		81.7		80		
KTB250 - 200 - 400B	428	37	1480	54.2	75	78	5.0	1118
	550	32		58.4		82		
	700	26		63.5		78		
KTB250 - 200 - 500	486	81	1480	142.9	200	75	5.0	1712
	630	76		157.1		83		
	720	65		163.4		78		
KTB250 - 200 - 500A	450	70	1480	116	160	74	5.0	1680
	600	65		129.5		82		
	670	56		132.7		77		
KTB250 - 200 - 500B	414	59	1480	92.4	132	72	5.0	1605
	550	55		103		80		
	620	47.5		106.9		75		
KTB250 - 200 - 500C	380	54	1480	79.8	110	70	5.0	1538
	520	48		87.2		78		
	290	41		90.2		73		
KTB300 - 250 - 315	600	36	1480	72.6	90	81	4.8	1320
	800	32		82		85		
	915	28		85.1		82		
KTB300 - 250 - 315A	540	32	1480	58.8	75	80	4.8	1235
	765	27		66.9		84		
	880	23		68.1		81		
KTB300 - 250 - 400	560	54	1480	102.9	160	80	4.8	1650
	800	50		132.8		82		
	915	46		145.1		79		
KTB300 - 250 - 400A	546	47	1480	88.46	132	79	4.8	1450
	765	44		113.2		81		
	850	39		115.74		78		
KTB300 - 250 - 400B	530	43	1480	81.66	110	76	4.8	1410
	750	40		103.4		79		
	840	35				75		
KTB300 - 250 - 500	600	78	1480	174.6	250	73	2.5	1880
	900	70		204.2		84		
	1170	62		239.4		82.5		

## 性能表 Performance Date

型号 Model	流量 Capacity Q (m <sup>3</sup> /h)	扬程 Head H (m)	转速 Speed n (rpm)	功率 Power(kW)		效率 Efficiency η (%)	必需汽蚀余量 NPSH(r) (m)	整机重量 Weight of pump set (kg)
				轴功率 Shaft power	电机功率 Motor Power			
KTB300 - 250 - 500A	600	73	1480	165.6	220	72	3.2	1860
	900	65		191.9		83		
	1150	52		201.1		81		
KTB300 - 250 - 500B	550	64	1480	137	200	70	3.2	1810
	850	56		160.1		81		
	1100	45		170.6		79		
KTB350 - 300 - 315	819	32	1480	87.1	110	82	4.5	1520
	1200	26		98.8		86		
	1440	21		101.6		81		
KTB350 - 300 - 315A	864	26	1480	76.5	90	80	4.5	1210
	1114	22		80.4		83		
	1336	17		84.7		73		
KTB350 - 300 - 400	819	50	1480	152.8	220	72	3.6	1918
	1260	44		177.6		85	4.6	
	1470	37		183.6		81	4.9	
KTB350 - 300 - 400A	826	41	1480	121	160	80	3.6	1860
	1180	36		131		84	4.6	
	1332	30		136		80	4.9	
KTB350 - 300 - 400B	770	35	1480	96.6	132	76	3.6	1780
	1100	30		112.3		80	4.6	
	1300	27		127.5		75	4.9	

## 安装尺寸图 Installation Diagram

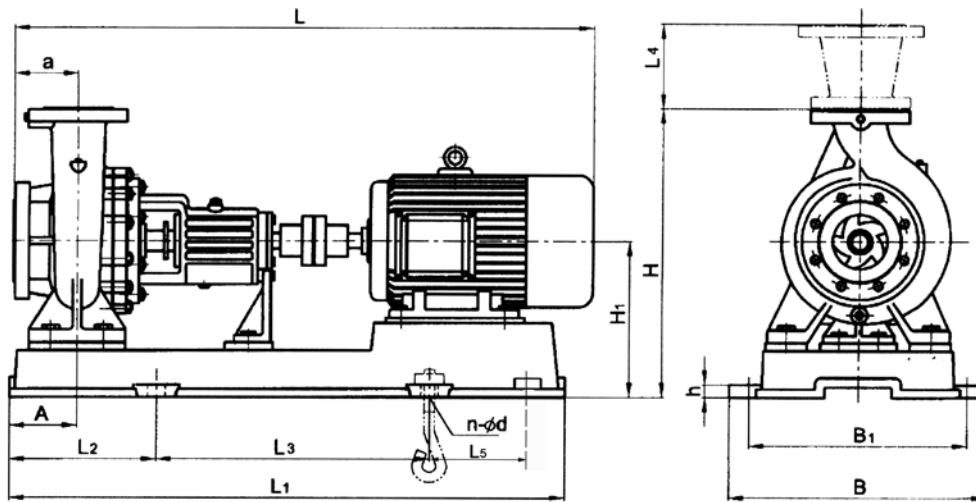


图 3 fig.3

## 外形及安装尺寸表 Dimensions Of Installation(见图 3 see fig.3)

型号 Model	A	a	L <sub>1</sub>	L <sub>2</sub>	L <sub>3</sub>	L <sub>4</sub>	L <sub>5</sub>	L	B	B <sub>1</sub>	h	H <sub>1</sub>	H	n - d	轴承型号 Model of bearing
KTB65 - 40 - 210	80	100	790	170	490	150		812	390	350	20	215	395	4 - 18.5	6305
KTB65 - 40 - 260	95	100	916	190	570	150		856	470	420	25	255	480	4 - 24	6307
KTB65 - 40 - 315	95	125	916	190	570	150		1042	470	420	25	275	525	4 - 24	6307
KTB65 - 40 - 320	105	125	1050	210	630	150		1090	490	440	25	275	525	4 - 24	6307
KTB80 - 50 - 210	80	100	790	170	490	175		857	390	350	20	215	415	4 - 18.5	6307
KTB80 - 50 - 250	95	125	916	190	570	175		1317	470	420	25	255	480	4 - 24	6307
KTB80 - 50 - 260	95	100	1050	210	630	175		952	490	440	25	255	480	4 - 24	6307
KTB80 - 50 - 315	95	125	916	190	570	175		1417	470	420	25	300	580	4 - 24	6309
KTB80 - 50 - 320	105	125	1050	210	630	175		1218	490	440	30	300	580	4 - 24	6309
KTB80 - 50 - 320A	95	125	916	190	570	175		1133	470	420	25	300	580	4 - 24	6309
KTB100 - 65 - 210	105	100	1050	210	630	175		880	490	440	25	255	480	4 - 24	6309
KTB100 - 65 - 250	105	125	1050	210	630	175		1017	490	440	25	275	525	4 - 24	6307
KTB100 - 65 - 260	105	130	1050	210	630	175		1105	490	440	25	275	525	4 - 24	6307
KTB100 - 65 - 315	110	125	1250	250	830	175		1277	610	550	30	315	595	4 - 28	6309



外形及安装尺寸表 Dimensions Of Installation(见图 3 see fig.3)

型号 Model	A	a	L <sub>1</sub>	L <sub>2</sub>	L <sub>3</sub>	L <sub>4</sub>	L <sub>5</sub>	L	B	B <sub>1</sub>	h	H <sub>1</sub>	H	n- d	轴承型号 Model of bearing
KTB100-65-315A	110	125	1250	250	830	175		1180	610	550	30	315	595	4-28	6309
KTB100-65-320	110	130	1250	250	830	175		1260	610	550	30	315	595	4-28	6309
KTB100-65-320A	110	130	1250	250	830	175		1260	610	550	30	315	595	4-28	6309
KTB125-100-200	105	125	1050	210	630	150		1125	490	440	25	275	555	4-24	6309
KTB125-100-200A	105	125	1050	210	630	150		1125	490	440	25	275	555	4-24	6309
KTB125-100-250	110	140	1250	250	830	150		1277	610	550	30	315	595	4-28	6309
KTB125-100-250A	110	140	1250	250	830	150		1180	610	550	30	315	595	4-28	6309
KTB125-100-250B	110	140	1250	250	830	150		1180	610	550	30	315	595	4-28	6309
KTB125-100-315	110	140	1250	250	830	150		1290	610	550	30	340	655	4-28	6309
KTB125-100-315A	110	140	1250	250	830	150		1290	610	550	30	340	655	4-28	6309
KTB125-100-315B	110	140	1250	250	830	150		1290	610	550	30	340	655	4-28	6309
KTB125-100-400	130	140	1430	290	870	150		1467	660	600	40	430	785	4-28	6309
KTB125-100-400A	130	140	1310	290	870	150		1367	660	600	30	370	725	4-28	6309
KTB125-100-400B	130	140	1310	290	870	150		1367	660	600	30	370	725	4-28	6309
KTB125-100-210	95	125	1170	225	740	150		1215	540	490	30	290	570	4-24	6307
KTB125-100-260	110	150	1250	250	830	150		1280	610	550	30	315	595	4-28	6309
KTB125-100-320	110	140	1250	250	830	150		1342	610	550	30	340	655	4-28	6309
KTB125-100-320A	110	140	1250	250	830	150		1342	610	550	30	340	655	4-28	6309
KTB125-100-410	130	140	1430	290	870	150		1546	660	600	40	465	825	4-28	6309
KTB125-100-410A	130	140	1430	290	870	150		1521	660	600	40	465	825	4-28	6309
KTB125-100-410B	130	140	1430	290	870	150		1521	660	600	40	465	825	4-28	6309
KTB150-125-250	110	140	1250	250	830	200		1367	610	550	30	340	695	4-28	6309
KTB150-125-250A	110	140	1250	250	830	200		1292	610	550	30	340	695	4-28	6309
KTB150-125-260	110	150	1250	250	830	200		1367	610	550	30	340	695	4-28	6309
KTB150-125-260A	110	150	1250	250	830	200		1367	610	550	30	340	695	4-28	6309
KTB150-125-315	130	140	1430	290	870	200		1467	660	600	40	430	785	4-28	6309
KTB150-125-315A	130	140	1310	290	870	200		1367	660	600	30	370	725	4-28	6309
KTB150-125-315B	130	140	1310	290	870	200		1367	660	600	30	370	725	4-28	6309
KTB150-125-320	130	140	1430	290	870	200		1426	660	600	40	430	785	4-28	6309
KTB150-125-320A	130	140	1310	290	870	200		1426	660	600	30	370	725	4-28	6309
KTB150-125-400	130	140	1430	290	870	200		1527	660	600	40	465	865	4-28	6309
KTB150-125-400A	130	140	1430	290	870	200		1527	660	600	40	465	865	4-28	6309
KTB150-125-400B	130	140	1430	290	870	200		1467	660	600	40	465	865	4-28	6309
KTB150-125-410	130	140	1400	290	870	200		1607	660	600	40	465	865	4-28	6309
KTB150-125-410A	130	140	1430	290	870	200		1522	660	600	40	465	865	4-28	6309
KTB200-150-260	130	160	1430	290	870	250		1487	660	600	40	430	805	4-28	6309
KTB200-150-260A	130	160	1310	290	870	250		1367	660	600	30	370	745	4-28	6309
KTB200-150-250	130	160	1400	290	870	250		1647	660	600	40	430	805	4-28	6309
KTB200-150-250A	130	160	1430	290	870	250		1487	660	600	40	430	805	4-28	6309
KTB200-150-320	130	160	1510	320	1070	250		1692	730	670	40	465	865	4-28	6311
KTB200-150-320A	130	160	1510	320	1070	250		1692	730	670	40	465	865	4-28	6311
KTB200-150-315	130	160	1700	320	1070	250		1787	730	670	40	465	865	4-28	6311
KTB200-150-315A	130	160	1510	320	1070	250		1692	730	670	40	465	865	4-28	6311
KTB200-150-315B	130	160	1510	320	1070	250		1692	730	670	40	465	865	4-28	6311
KTB200-150-400	130	160	1700	320	1070	250		1907	730	670	40	465	915	4-28	6311
KTB200-150-400A	130	160	1700	320	1070	250		1857	730	670	40	465	915	4-28	6311
KTB200-150-400B	130	160	1700	320	1070	250		1857	730	670	40	465	915	4-28	6311
KTB200-150-410	130	160	1700	320	1070	250		1857	730	670	40	465	915	4-28	6311
KTB200-150-410A	130	160	1700	320	1070	250		1857	730	670	40	465	915	4-28	6314
KTB200-150-500	160	160	1900	320	1260	250		2246	810	750	40	520	1010	4-28	6314
KTB200-150-500A	160	160	1900	320	1260	250		2150	810	750	40	520	1010	4-28	6314
KTB200-150-500B	160	160	1800	320	1070	250		1905	730	670	40	520	1010	4-28	6314
KTB250-200-300	130	225	1700	320	1070	300		1810	730	670	40	465	900	4-28	6311
KTB250-200-300A	130	225	1510	320	1070	300		1710	730	670	40	465	900	4-28	6311
KTB250-200-400	146	225	1740	320	1150	300		2119	820	760	40	465	925	4-28	6311
KTB250-200-400A	130	225	1700	320	1070	300		1970	730	670	40	465	925	4-28	6311
KTB250-200-400B	130	225	1700	320	1070	300		1920	730	670	40	465	925	4-28	6311
KTB250-200-500	160	225	2160	205	875	300	875	2353	820	760	40	525	1075	6-28	6314
KTB250-200-500A	160	225	2160	205	875	300	875	2353	820	760	40	525	1075	6-28	6314
KTB250-200-500B	160	225	2160	205	875	300	875	2353	820	760	40	525	1075	6-28	6314
KTB250-200-500C	160	225	2160	205	875	300	875	2343	820	760	40	525	1075	6-28	6314
KTB300-250-315	160	250	1740	350	1100	300		1982	730	670	50	505	1005	4-28	6311
KTB300-250-315A	160	250	1740	350	1100	300		1932	730	670	50	505	1005	4-28	6311
KTB300-250-400	160	250	2000	205	795	300	795	2387	820	760	50	550	1055	6-28	6314

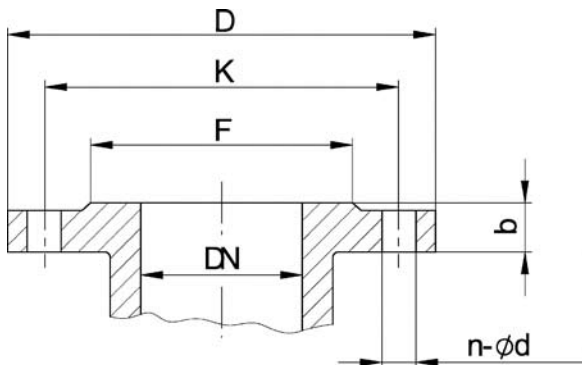


外形及安装尺寸表 Dimensions Of Installation(见图 3 see fig.3)

型号 Model	A	a	L <sub>1</sub>	L <sub>2</sub>	L <sub>3</sub>	L <sub>4</sub>	L <sub>5</sub>	L	B	B <sub>1</sub>	h	H <sub>1</sub>	H	n- d	轴承型号 Model of bearing
KTB300-250-400A	160	250	2000	205	795	300	795	2430	820	760	50	550	1055	6-28	6314
KTB300-250-400B	160	250	2000	205	795	300	795	2430	820	760	50	550	1055	6-28	6314
KTB300-250-500	150	250	2100	100	945	300	945	2588	1000	940	25	650	1300	6-30	6314
KTB300-250-500A	150	250	2100	100	945	300	945	2588	1000	940	25	650	1300	6-30	6314
KTB300-250-500B	150	250	2100	100	945	300	945	2388	1000	940	25	650	1300	6-30	6314
KTB350-300-315	200	300	1800	380	1040	300		2360	880	820	40	505	1085	4-28	6311
KTB350-300-315A	200	300	1800	380	1040	300		2360	880	820	40	505	1085	4-28	6311
KTB350-300-400	200	300	2160	205	875	300	875	2639	880	820	40	605	1205	6-28	6314
KTB350-300-400A	200	300	2160	205	875	300	875	2439	880	820	40	605	1205	6-28	6314
KTB350-300-400B	200	300	2160	205	875	300	875	2439	880	820	40	605	1205	6-28	6314

进出口法兰尺寸  
Dimensions Of Flange(图 4 see fig.4)

DN	D	K	F	b	n- d
40	150	110	88	18	4-17.5
50	165	125	102	20	4-17.5
65	185	145	122	20	4-17.5
80	200	160	132	22	8-17.5
100	220	180	155	24	8-17.5
125	250	210	184	26	8-17.5
150	285	240	212	26	8-22
200	340	295	268	30	12-22
250	405	355	320	32	12-26
300	460	410	370	32	12-26



本厂提供下列尺寸的锥管  
We supply conic as follow: (图5 fig.5)

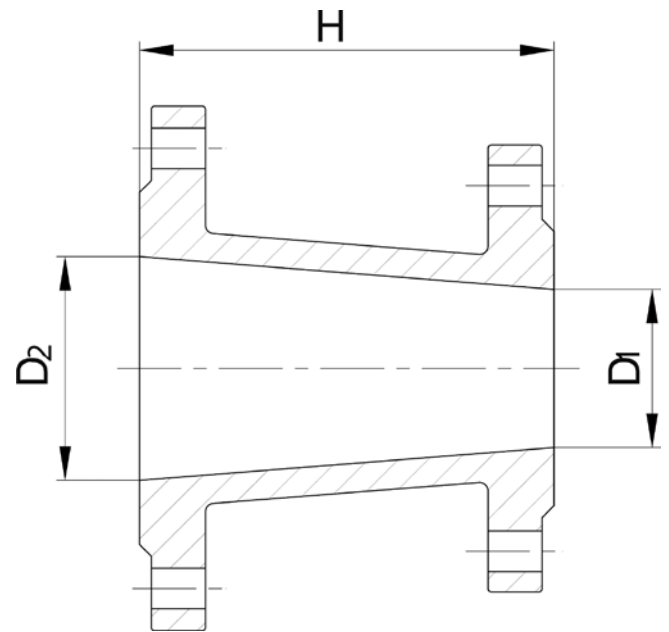


图 5 fig.5

锥管尺寸 Dimensions Of Conic Pipe

为减少管路阻力损失，一般应控制管路中的水流速度大约2-2.5m/s，所以水泵出水口应装扩散锥管。

To release resistance loss in pipes,generally,the flow speed should be controlled at 2-2.5m/s approximately.So conic pipe should be used in outlet.

水泵出水口直径 Outlet diameter of pump	适用配用锥管 Conic applicable
40	40-65
50	50-80
65	65-100
100	100-125
125	125-150
150	150-200
200	200-250
250	250-300
300	300-350

D <sub>1</sub>	D <sub>2</sub>	L <sub>4</sub>	最大工作压力 Pressure(MPa)
150	250	300	1.6
200	250	300	1.6
200	300	300	1.6
250	300	300	1.6
250	350	300	1.6
300	350	300	1.6



全国统一服务热线 400 604 3398

地 址：广州市海珠区科韵南路133号  
生产中心地址：佛山市南海区红岭路2号之一  
销售部电话：(020) 66834613 66834616 66834618  
技术咨询：(0757) 81093982  
维修部电话：(020) 66834630 66834631  
服务投诉：(020) 66834612

传 真：(020) 66834619 66834629  
E - mail: sales@gygcn.com  
网 址 URL: www.gypump.com

说明书内容如有改动，恕不另行通知  
All specifications subject to change without notice

A-KTB20150301